

4

3

2

1

D

D

C

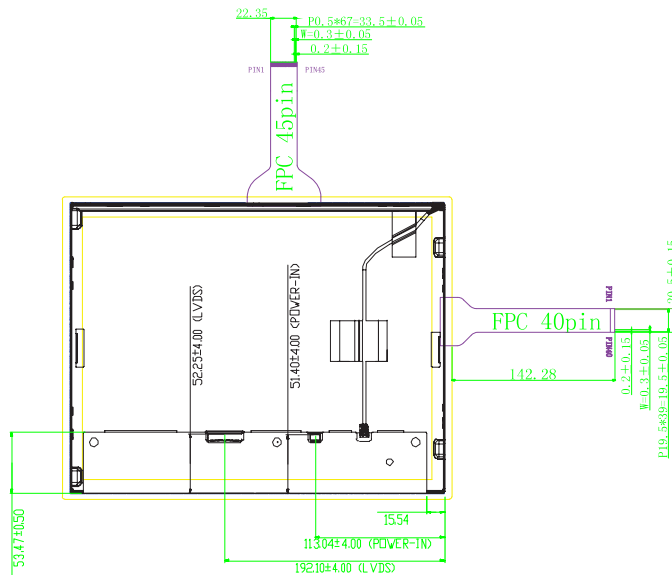
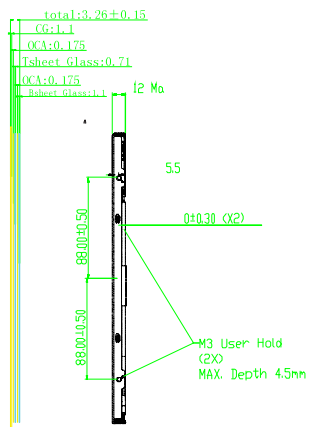
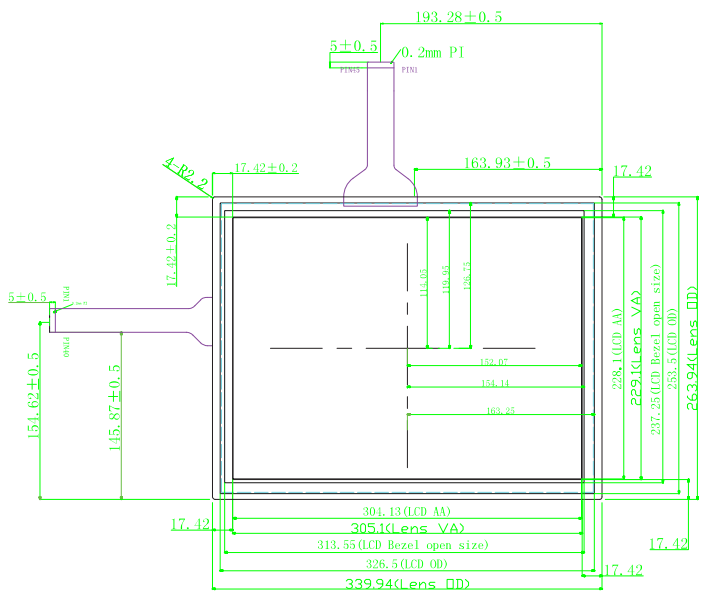
C

B

B

A

A



Touch Module Build Stack

- Cover lens 1.1mm
- OCA 0.175mm
- ITO Tsheet Glass 0.71mm
- OCA 0.175mm
- ITO Bsheet Glass 1.1mm
- LCD 12mm

Bsheet 40pin

Pin	Descrip
1	GND
2-30	TX1-TX29
31	GND
32-40	NC

TSheet 45pin

Pin	Descrip
1	GND
2-40	TX1-TX39
41	GND
42-45	NC

QTY	ITEM NO	PART NUMBER	DESCRIPTION
			<p>GEC Deutschland GmbH Paul-Ehrlich-Str. 34 / K8 63322 Roedermark Germany Tel: +49 6074 7288 480 www.globecom.com</p>
<p>DO NOT SCALE DRAWING !</p> <p>UNLESS OTHERWISE SPECIFIED, DIMENSIONS ARE IN MILLIMETER. REMOVE ALL BURRS AND BREAK SHARP EDGES. DEC. TOLERANCE:</p> <p>.XX = ± .060 UNO FRAC. TOL. X/X = ±1/16 .XXX = ± TOL UNO ANGULAR TOL. = ±1' .XXXX = ± TOL UNO .XXXXX = ± TOL UNO</p>			<p>TITLE:</p> <h1>15" Diag</h1>
		<p>THIRD ANGLE PROJECTION</p> <p>DRAWN DATE S.POTH 11/13</p> <p>SCALE: NTS</p> <p>SHEET SHEET</p>	<p>SIZE PART NO. / DWG. NO. REV.</p> <p>A 67-F-PMC-151-002 1.2</p>